

▲ SAFETY MESSAGE ▲

The product for which you have requested information or replacement parts is not a current product. The replacement models incorporate product designs, safety features, safety instructions or warnings which represent the latest "State Of The Art" developments. For your safety and those around you please contact your nearest Ariens/Gravely Dealer for a demonstration of the current product safety provisions and features.

 **GRAVELY**®

40" & 50" Rotary Mower

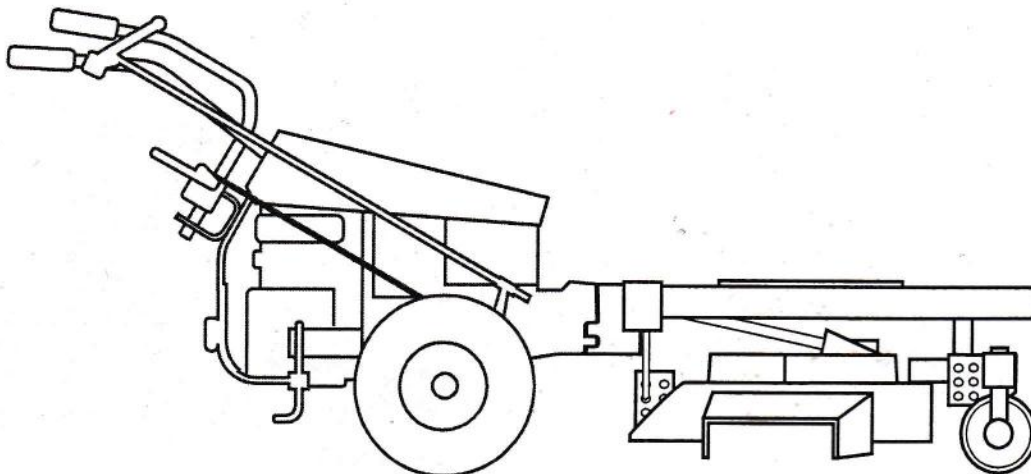
Owner/Operator & Parts Manual



MODELS

005 - 40" Mower

006 - 50" Mower



GRAVELY®

Thank You

GRAVELY outdoor power equipment is engineered to be the best from start to finish. We have one fundamental belief: Value is not measured solely by price; value is a durable, easy-to-use machine that performs season after season.

This manual and the engine manual are your guides. By following the instructions and procedures in them, your GRAVELY equipment will serve you well for many years. The care you give this unit will determine your overall satisfaction and its service life.

Safety is up to you. Obey all correct operating practices and procedures for this unit. Prevent serious injury or death.

Three reasons safety is important:

- 1. Accidents can disable and kill.*
- 2. Accidents can be avoided.*
- 3. Accidents always cost.*

GRAVELY proudly offers one of the finest warranties in the business. Contact your GRAVELY Dealer with any questions, comments or orders. GRAVELY equipment for the world is made in the USA.



YOUR SATISFACTION IS IMPORTANT

Questions? Please follow these helpful steps:

- 1. Always Refer to Your Owner/Operator or Engine Manual First.**
 - a) Its detail will guide you through safe and proper operation and maintenance.
 - b) It contains specifications on your model.
 - c) If your questions are not answered in these manuals, go to step number two.
- 2. Contact Your GRAVELY Dealer.**
 - a) Our dealers will be happy to supply any service or advice required to keep your unit operating at peak efficiency.
 - b) A factory trained staff is available to support your equipment needs. They stock genuine GRAVELY parts and lubricants manufactured with the same precision and skill as the original.
 - c) If your questions are not resolved by the support staff, ask for the manager or owner.
 - d) When contacting your GRAVELY Dealer supply your model and serial numbers.



⚠ WARNING

The engine exhaust from this product contains chemicals known to the State of California to cause cancer, birth defects or other reproductive harm.

TABLE OF CONTENTS

MODELS

Model 885005

Mower, 40" Three Spindle
Serial No. 000367 and up

Model 885006

Mower, 50" Three Spindle
Serial No. 003998 and up

SECTION 1: OWNERS

Safety Precautions	2
Operation	4
Lubrication and Maintenance	5
Adjustment	7
Storage	8
Trouble Shooting	8
Specifications	9
Set-Up Instructions	10
Warranty	Inside Back Cover

SECTION 2: PARTS

40" Mower Deck Assembly	16
50" Mower Deck Assembly	18
40" & 50" Mower Drive	20

REFERENCE TABLE

NOTE: Hardware descriptions are given in decimals.

Decimals to Fractions	
.062	1/16
.125	1/8
.187	3/16
.250	1/4
.312	5/16
.375	3/8
.437	7/16
.500	1/2
.562	9/16
.625	5/8
.687	11/16
.750	3/4
.812	13/16
.875	7/8
.937	15/16

Safety Precautions

Improper use of this equipment can injure people and damage the equipment. People using or servicing this equipment must read and follow the instructions in this manual and the manuals provided with your power unit.

It is important to understand that this manual and any other Gravely instruction manuals do not cover every possible danger. It is impossible for Gravely to know all possible dangers in operating and servicing the equipment.

The purchaser must give these instructions to the people operating and maintaining this equipment. These people must use eye and foot protection.

Training

Read this manual and the power unit manual carefully.

Learn the location and function of all controls.

Learn how to use the controls to stop the wheels and mower quickly in an emergency.

Understand and follow each danger, warning, caution and instructional decal installed on this product.

Never permit children to operate the tractor. Do not allow adults to operate it without proper instruction.

Safe operation of this equipment requires your complete and unimpaired attention at all times. Do not operate unit after or during the consumption of drugs or alcohol.

Keep all people and animals away from the operating area.

Preparation

Use caution with gasoline. Gasoline is very flammable and its vapors are explosive. Keep it in a clean, tight and approved (Red) container. Never put gasoline in the fuel tank while the engine is running or hot. Clean up spilled gasoline before starting engine. Do not fill fuel tank indoors. Never allow smoking materials, sparks or flame (match, pilot light, etc.) near mower or fuel container. Replace fuel tank cap and fuel container cap securely.

Inspect area to be mowed and remove all material

which could be thrown by the mower such as stones, sticks, wires and other foreign objects.

Inspect area to be mowed and remove all material which could be thrown by mower.

When hauling the equipment, connect the chassis to the transporting vehicle. Never connect from control levers, rods, or like items that could be damaged.

Replace all parts that become damaged or lost.

Check the operation of the operator presence controls, on your power unit before operating the mower.

Before making adjustments or servicing, move the PTO to "OFF", turn the ignition switch to "OFF", remove key and wait until all moving parts completely stop. Do not make cutting height adjustment while engine is running.

Operation

Be certain that shield, guards and interlock switches are in good condition and in proper operating position.

Before starting the engine, put the PTO control lever in the "OFF" position and the gear shift lever in the neutral "N" position.

Wear foot and eye protection. Do not wear loose clothing that could get caught in rotating parts.

Do not use the equipment in the dark without adequate lighting.

Keep away from moving parts. Stay clear of the mower discharge chute and keep the deflector in the down position whenever the engine is running.

Keep people and animals away from the operating area. Never direct discharge of materials toward bystanders.

Do not let people other than the operator near the operating equipment. Never direct discharge of material towards bystanders. The operator is responsible for the safety of bystanders.

Do not operate the mower on gravel or on loose material such as sand. Stop mower when crossing gravel drives, walks or roads. Objects may be picked up and thrown by the mower blades causing damage or injury.

Safety Precautions (Continued)

Use a slow speed and engage the shift lever slowly when operating on slopes.

Look for and keep away from hazards, such as drop-offs. Stay alert for holes, rocks and other hidden hazards in the area of operation.

After hitting an object, disengage the PTO, turn off and remove the ignition key and wait for all motion to stop. Check for damage. Repair any damage before operating.

Look down and behind when operating in reverse. Look for people and hazards.

Operate only from the operator's position.

Slopes are a major factor related to accidents which can result in severe injury. All slopes require extra caution. If you feel uneasy on a slope with your walk behind tractor do not mow it. If you can not back up the slope with your ride-on tractor do not mow it.

Travel across slopes with the walk behind tractor. Travel up and down slopes with the ride-on tractor.

If there is a sudden change in the sound or vibration of the equipment, disengage the PTO, turn off and remove the ignition key, wait for all motion to stop and check for damage. Repair any damage or failure before restarting unit.

Never run the engine indoors except to move it outside. Exhaust fumes are dangerous.

Go slowly on slick surfaces. When operating the walk behind tractor always be sure of your footing, keep a firm grip on the handlebars and walk, never run.

Follow traffic laws when operating on or near a road.

Before leaving the operator's position for any reason,

put the PTO control in the "OFF" position and turn the ignition key to "OFF" and remove. Move the direction control to the forward position (walk-behind tractor). Lock the brake lock (ride-on tractor). Wait until all moving parts have stopped.

Do not touch parts which might be hot from operation. Before attempting to maintain, adjust or service allow such parts to cool.

Maintenance and Storage

Keep the equipment in good condition. Maintain it as directed in this manual. Check all hardware at regular intervals.

Use only Gravely accessories, attachment and replacement parts.

Do not overspeed the engine. Do not override the governor.

Before making any repairs, adjustments, inspections or cleaning unit disengage the PTO, turn off and remove the ignition key and wait for all motion to stop.

To reduce fire hazard and overheating, keep equipment free of grass, leaves, debris or excessive lubricants.

Worn out mufflers can result in fire or explosion and should be replaced immediately.

Never store equipment with gasoline in tank inside a building where fumes may reach an open flame or spark. Allow engine to cool before storing in any enclosure.

Refer to Storage Section of owners manual if unit is to be stored for extended periods.

Operation

Read this manual and the Power Unit manual carefully before operating the equipment.

Transport the equipment to the area to be mowed.

Inspect the area to be mowed and remove all material which could be thrown by the mower.

Plan the pattern for cutting the grass. Generally an area is mowed around the periphery towards the center by discharging the grass toward the center on the first pass. The remainder of the mowing is done discharging the grass outward in the area which has been cut.

See Specification Section for the schedule of heights of cut. Set the mower for the height of cut desired.

See the tractor manual for correct operation of the PTO. Start the engine and put the PTO control in the "ON" position. Move the throttle control to the "FAST" position.

Select a slow gear. Engage the forward clutch. Control the ground speed by selecting the desired gear.

Lubrication and Maintenance

Lubrication

Apply **Sten Mix** Hi-Temp Grease to the lube fittings. Order P/N: 00036700 - ten 14 oz. tubes.

If using Sten Mix for the first time, all components should be thoroughly cleaned prior to lubricating. Apply grease on:

- Each spindle (3) - every 25 hours of operation.
- Each gauge wheel (2) - every 8 hours of operation.
- Drive shaft - every 8 hours of operation.
- Front mount - every 8 hours of operation.
- quick hitch pin
- each caster wheel (2)
- each caster fork (2)

IMPORTANT: Grease the spindles until there is grease coming out of the grease relief fitting.

Gear Box: Once a year or every 200 hours of operation, check the lubricant by removing the cover. Clean the top of the gear box and carefully remove the cover. Replace the gasket if damaged. Keep the gear box 3/4 full of grease.

Blade Service

Every ten hours of operation or when the cut is poor visually, check the blades for sharpness.

Remove the mower from the tractor. See mower installation in Lubrication and Maintenance Section.

Turn the mower upside down.

Block the blades and remove the nuts and flat washers from the spindle.

Sharpen and balance the blade.

Reverse the removal process to install the blades on mower and the mower on the tractor.

Replace the blades when over 1/2" has been removed or the blade cannot be balanced.

Belt Replacement

Remove the mower from the tractor.

Remove the belt covers.

Loosen the spring tension on the belt.

Remove the gear housing support.

Remove the belt.

Put the new belt in position on the sheaves. See diagram 1.

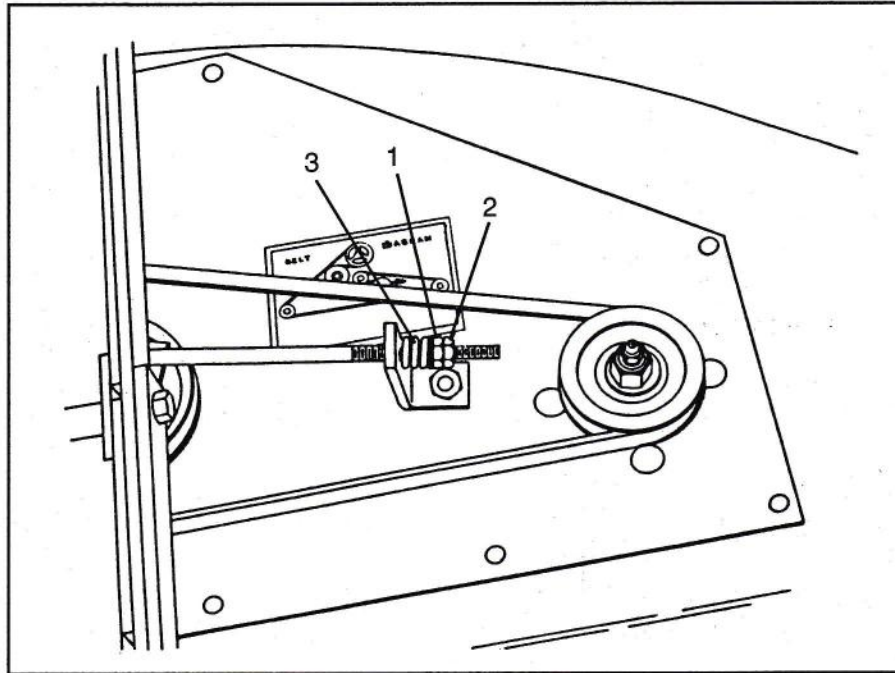
Mount the gear housing support.

Adjust the belt tension.

Install the belt covers.

Mount the mower on the tractor.

Lubrication and Maintenance (Continued)



1. Adjusting Nut
2. Jam Nut
3. Spring

Figure 1

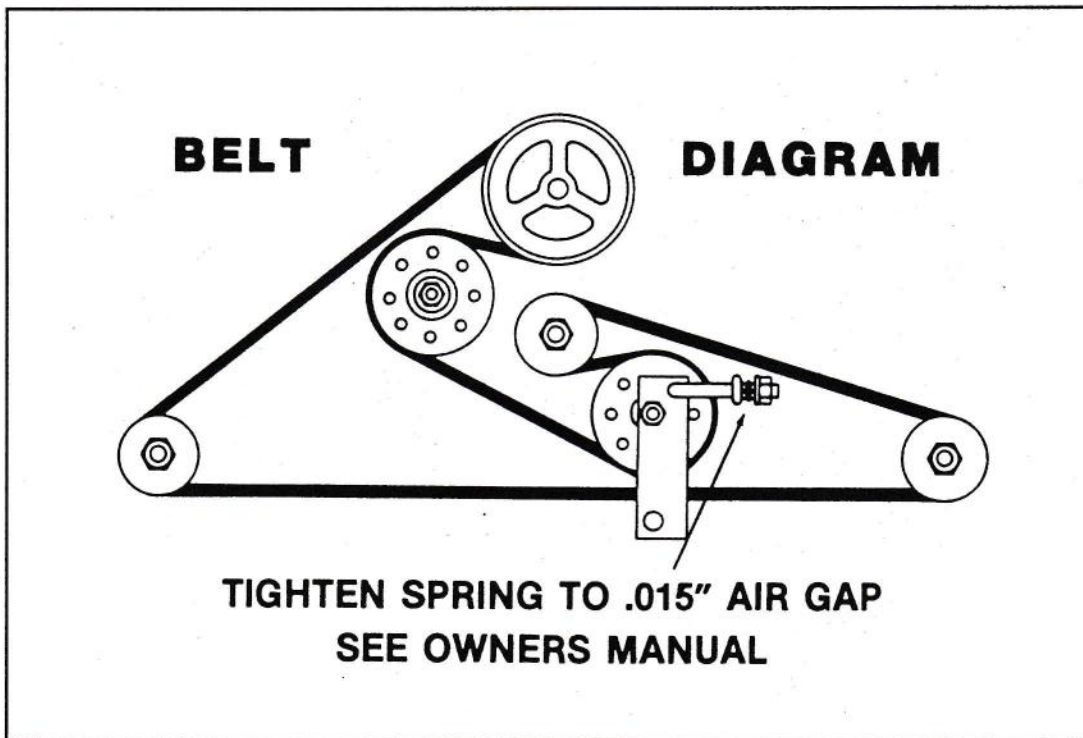


Diagram 1

Adjustment

Height of Cut Adjustment

Lift up on the height adjustment lever and rotate the axle pivot weldment until the lever registers with the slot corresponding to the desired height of cut. The lowest cut position is when the lever is nearest the deck.

Belt Adjustment

Remove the right belt cover.

Unlock the adjusting nuts. See figure 1.

Rotate the inside nut until the air gap in the spring is .010" to .015" (.25mm to .38mm).

Jam the adjusting nuts.

Install the belt cover.

Mower Level Adjustment

Park the tractor on a level, paved surface.

Check and adjust the tractor tire pressure. See the tractor operator's manual.

Move the height of cut lever to the position where the mower will be used.

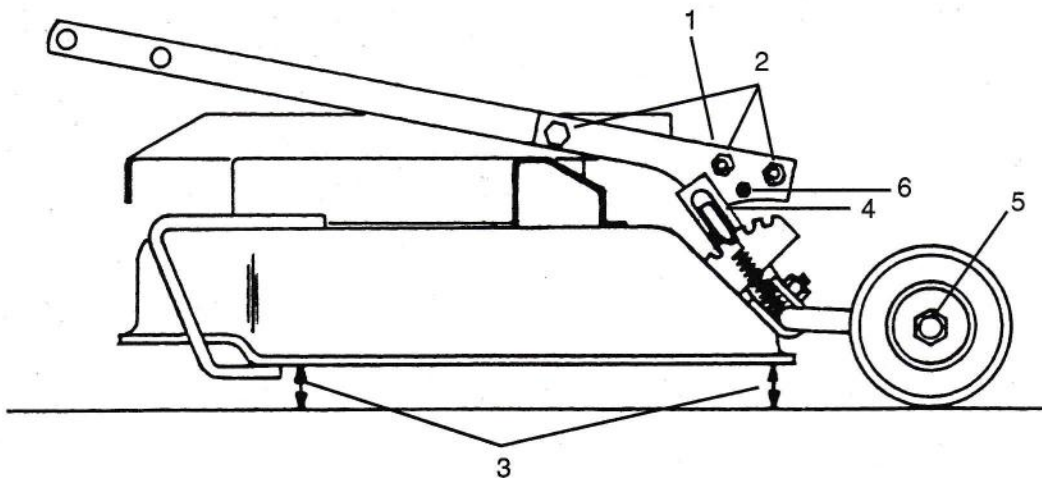
Loosen the bolts which retain the deck leveling cams.

Loosen the jam nut on the eccentric bolts which retain the gauge wheels.

Rotate the eccentric bolts in the gauge wheels until the distance from the rear of the deck to the supporting surface is equal on each side of the mower. See diagram 2.

Adjust the deck leveling cams with the cam until the front edge of the deck to the supporting surface is within .1 inch of the rear distance. See diagram 2. Readjustment of the eccentric bolt in the gauge wheel may be required.

Jam the nuts on the eccentric bolts and tighten the bolts which retain the deck leveling cams.



- | | |
|----------------------|------------------------|
| 1. Deck Leveling Cam | 4. Height of Cut Lever |
| 2. Nuts | 5. Eccentric Bolt |
| 3. Measure Height | 6. Cam |

Diagram 2

Storage

Remove the mower from the tractor and clean.

NOTE: Do not use harsh or abrasive cleaners on any painted surface. Do not allow gasoline or oil to remain on any silk screened surface.

IMPORTANT: NEVER spray unit with water or store unit outdoors to aid in prevention of rust or corrosion. Water can seep into sealed bearings, which are sealed against dirt and debris only, causing reduced component life.

Inspect for damage, wear, loose or missing hardware. Repair as needed.

Sharpen and balance the blades.

Lubricate.

Paint or oil any bare metal surfaces to prevent rust.

Place in a dry area.

Trouble Shooting

Uneven cut

- Mower not level.
- Uneven tractor tire pressure.
- Damaged gauge wheel or axle.
- Damaged pivot arm weldment.
- Bent blade.

Uncut grass

- Dull blade.
- Damaged blade.
- Too low engine speed.
- Mowing tall grass.

Smoke from mower

- Spindle/blade locked.
- Debris wedged against belt.
- Loose belt.

Engine slows when mower is engaged

- Damaged bearing in spindle assembly.
- Damaged bearings/gears in the gear box.

Excessive noise

- Unbalanced blade(s).
- Damaged universal joint
- Damaged gear box bearings/gears.
- Idler bearings.
- Damaged bearings in spindle assembly.

Specifications

	40" Mower	50" Mower
Width of cut	40 in. (1016mm)	50 in. (1270mm)
Weight	169 lbs. (77 kg)	197 lbs. (89 kg)
Height	15 in. (381mm)	15 in. (381mm)
Length	35 in. (889mm)	35 in. (889mm)
Width: Chute Down	50.5 in. (1283mm)	62.0 in. (1575mm)
Chute Up	45.8 in. (1165mm)	53.1 in. (1349mm)
Heights of Cut		
Position 1	1.5 inches (38.1mm)	
2	2.0 inches (50.8mm)	
3	2.5 inches (63.5mm)	
4	3.0 inches (76.2mm)	
5	3.5 inches (88.9mm)	
6	4.0 inches (101.6mm)	
Mower Deck Construction	10-gauge welded and bolted steel construction with a 3/16 in. (4.8mm) thick reinforcing support plate.	
Blades:		
Number	3	
Dimensions	40" - 13.9 in. (353.1mm) long .20 in. (5.1mm) thick 50" - 17.0 in. (431.8mm) long .20 in. (5.1mm) thick	
Description	High lift, heat-treated alloy steel	
Spindle Assemblies:	1 in. (25mm) diameter spindle shafts, turning on tapered roller bearings, mounted in cast-iron spindle housings	
Discharge:	Right side (folding discharge chute)	
Drive:	Telescoping universal joint from PTO to right angle, aluminum alloy gearbox with bevel gears and tapered roller bearings. Spindles are driven by adjustable, spring-tensioned "A" section V-belt.	
Tires:		
Size	6 x 2	
Description	Semi-pneumatic with 3/4 in. (19mm) ball bearings and grease fittings.	

Set-Up Instructions

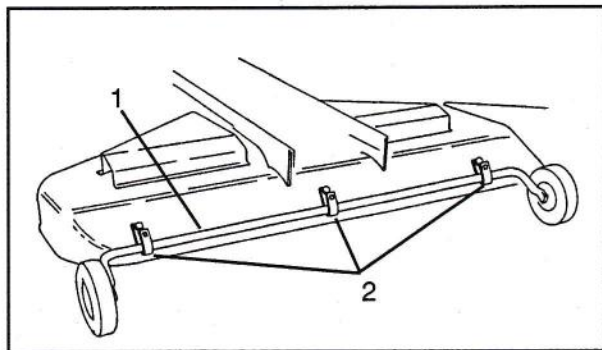
Remove the mower from the shipping container.

Axle Pivot Weldment Installation

Put the axle pivot weldment in position in the axle support brackets. See figure 2.

Put a nylon stop in each axle support bracket with the curved end against the axle pivot weldment. Secure the nylon stops with 3/8 - 16 x 2" carriage bolts from under the deck and 3/8-16 lock nuts.

Put a .125 x 1.25 cotter pin through the hole in the right end of the axle pivot weldment.



1. Axle Pivot Weldment
2. Axle Support Bracket

Figure 2

Height of Cut Lever Installation

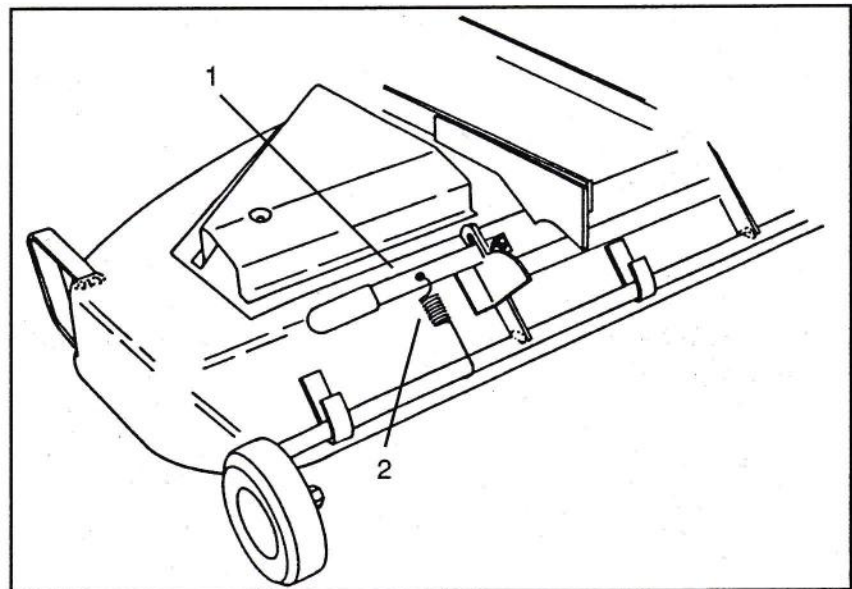
Put the height of cut lever in position on the axle pivot weldment. Secure with a 3/8 bolt from the front side and 3/8 lock nut. See figure 3. Install the spring from the axle pivot weldment to the height of cut lever.

U-Joint Drive Assembly Installation

If the mower is to be used on a Professional 4 Wheel, or 8000 Series long frame tractor, the universal joint drive assembly is positioned in the hole nearest the end of the gear box shaft. If the mower is to be used on an 800 Series, 8000 Series short frame, or a two-wheel tractor, the universal joint drive is positioned in the hole nearest the gearbox. See figure 4.

1. Height Adjustment Lever
2. Spring

Figure 3



Set-Up Instructions (Continued)

To Mount the Mower to the Front Mower (Two-Wheel Tractor)

Remove a pivot arm support from the front mount frame. See figure 8.

Put the front mount frame over the mower and slide the pivot arm shaft into the remaining pivot arm support. See figure 8.

Slide the loose pivot arm support on the vacant pivot arm shaft and bolt to the front mount frame.

Cut the universal joint assembly shaft to the length shown in diagram 5.

The Mower Lift Rod is Installed and Adjusted the First Time the Mower is Mounted on the Four-Wheel Tractor

Put the lift pivot on the lift rod followed by two jam nuts. Leave the nuts loose for adjustment. See diagram 6.

See Lubrication and Maintenance section. Secure the mower in the latch plates.

Lower the attachment lift. Install the lift pivot in the lift arm as shown in diagram 6. Use the first hole in the end of the left arm when mounting on the long frame tractor.

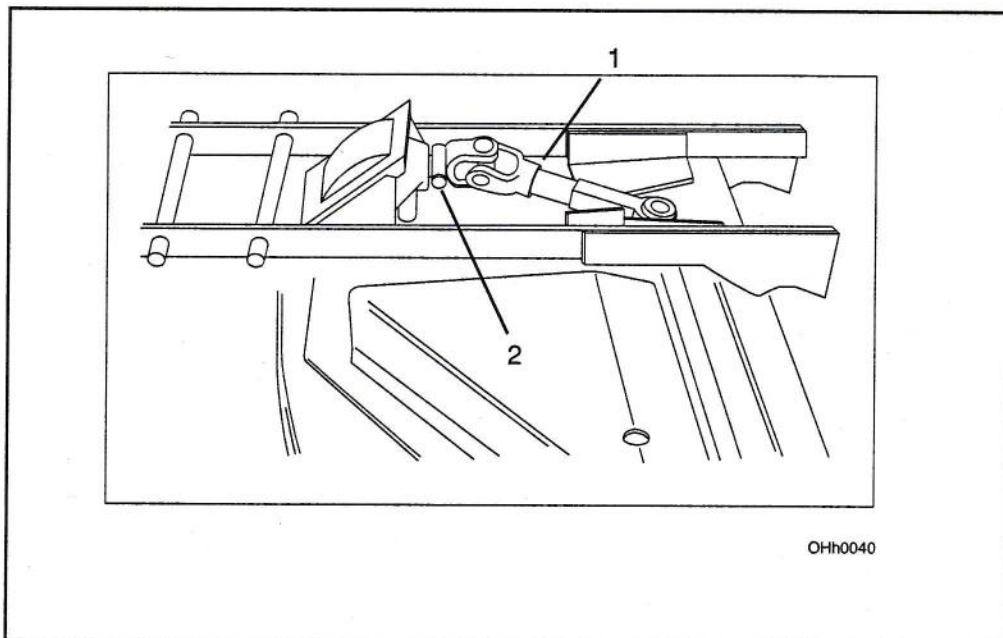
Adjust the mower to the lowest height of cut position. Put the end of the lift rod in the mower eye bolt and secure with a hair pin cotter.

Move the first jam nut to an 1/8" from the lift pivot and lock it in place by jamming with the second nut.

Follow Lubrication and Maintenance section for installation and removal of the mower on the tractor.

There are two 3/8 - 16 hex bolts and hex nuts located on the front of the gear housing support that can be used to level the mower when in the raised position.

Level the Mower the First Time That it is Mounted to the Tractor. See Lubrication and Maintenance Section.



1. U-Joint Female
2. Retaining Bolt

Figure 4

Set-Up Instructions (Continued)

Mower Installation on the Two-Wheel Tractor

Put a film of grease on the quick hitch pin. See figure 5.

Slide the pivot support onto the quick hitch pin and retain with a flat washer and klik pin.

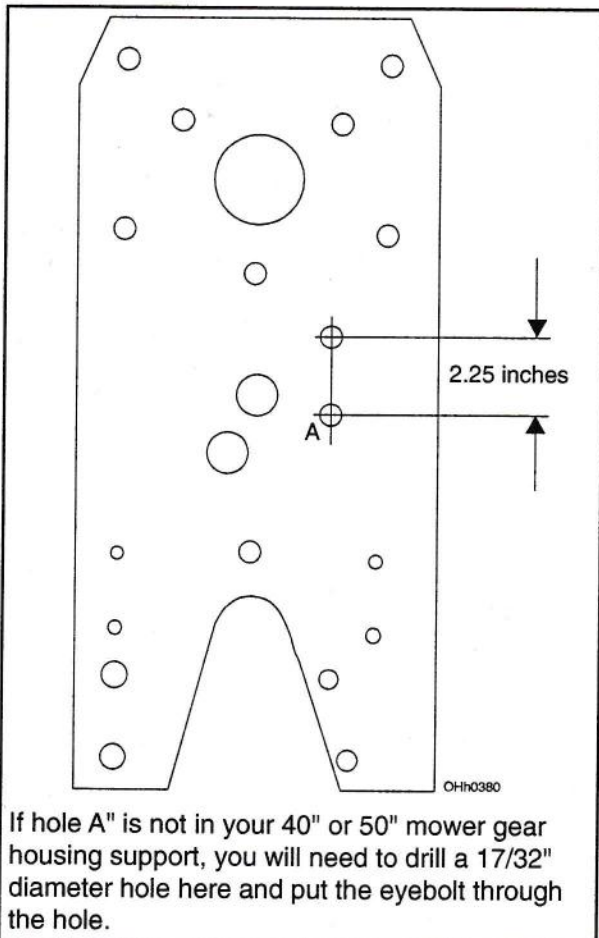
Put a film of grease on the shaft of the universal drive assembly. Slide the shaft into the tube of universal joint (female) assembly.

Pull (or rotate) the locking collar toward the U-joint and slide onto the tractor PTO shaft. Release the locking collar. Pull on the drive to make sure that the drive has locked in place.

To remove the mower, reverse the steps above.

Mower Installation on the Four-Wheel Tractor

For a 40" or 50" center mount mower deck, you may have to drill a 17/32" diameter hole in the



If hole "A" is not in your 40" or 50" mower gear housing support, you will need to drill a 17/32" diameter hole here and put the eyebolt through the hole.

Diagram 3

gear housing support. See Diagram 3 for layout of the part and location of hole. If you need to drill a hole, you will also have to move the eyebolt to this hole. Also, the mower lift pivot will go into the third (last) hole in the lift arm. See Diagram 4.

Install the lift rod on the tractor as shown in Diagram 4. Use the second hole in the end of the lift arm when mounting on a short frame tractor.

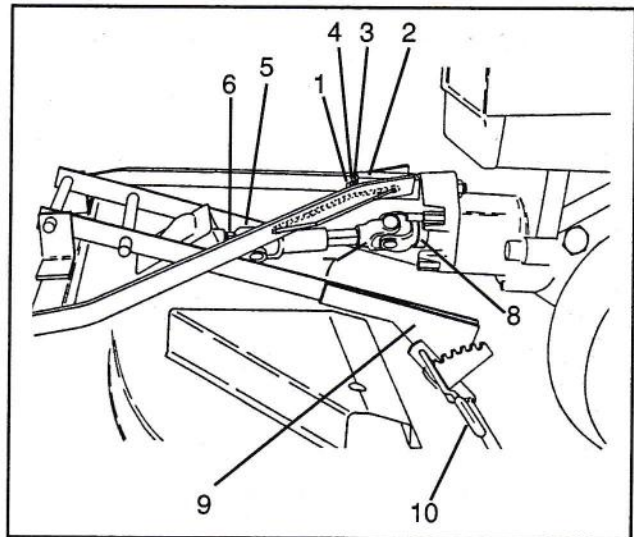
Put a film of grease on the shaft on the universal joint (male) assembly. Slide the shaft into the tube of the universal joint (female) assembly.

Put the height adjustment lever in the lowest cut position (near deck).

Position the tractor with the front wheels behind the mower.

Roll the front of the tractor over the mower. See figure 7.

Put a film of grease on the PTO shaft.



- | | |
|--------------------|---------------------------|
| 1. Quick Hitch Pin | 6. U-Joint Retaining Bolt |
| 2. Pivot Support | 7. U-Joint Male |
| 3. Flat Washer | 8. Locking Collar |
| 4. "Klik" Pin | 9. Deck Leveling Cam |
| 5. U-Joint Female | 10. Height Adjust Lever |

Figure 5

Set-Up Instructions (Continued)

Unlock the universal joint drive assembly locking collar by rotating or pulling toward the drive assembly. Slide the drive assembly on the PTO shaft and release the locking collar. Pull on the drive assembly to make sure it is locked on the PTO shaft.

Lower the attachment lift.

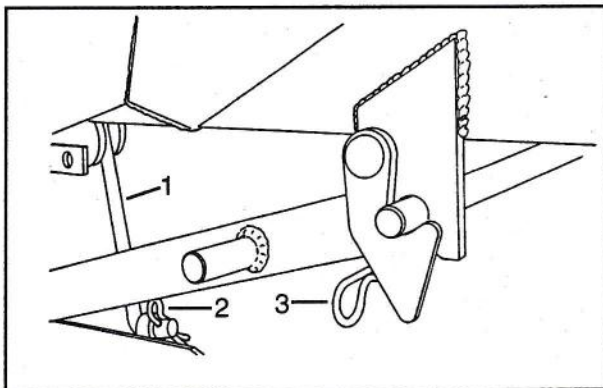
Put the end of the lift rod in the eye bolt on the mower. Secure with a hair pin cotter.

Lift the mower with the attachment lift until the mower pivot arm is near the latch plates.

Open the latch plates and swing the pivot arm into the slots.

Close the latch plates and secure with hair pin cotters. See figure 6.

To remove the mower, reverse the installation procedure.



1. Lift Rod
2. Hair Pin Cotter
3. Large Hair Pin Cotter

Figure 6

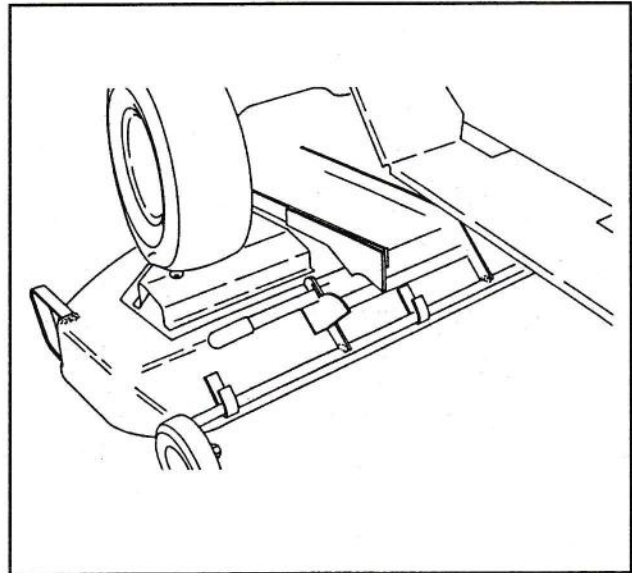
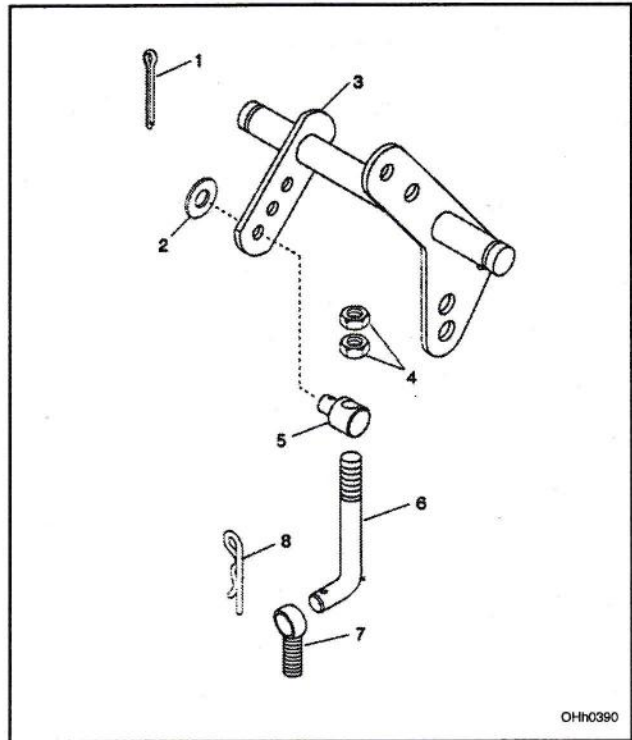


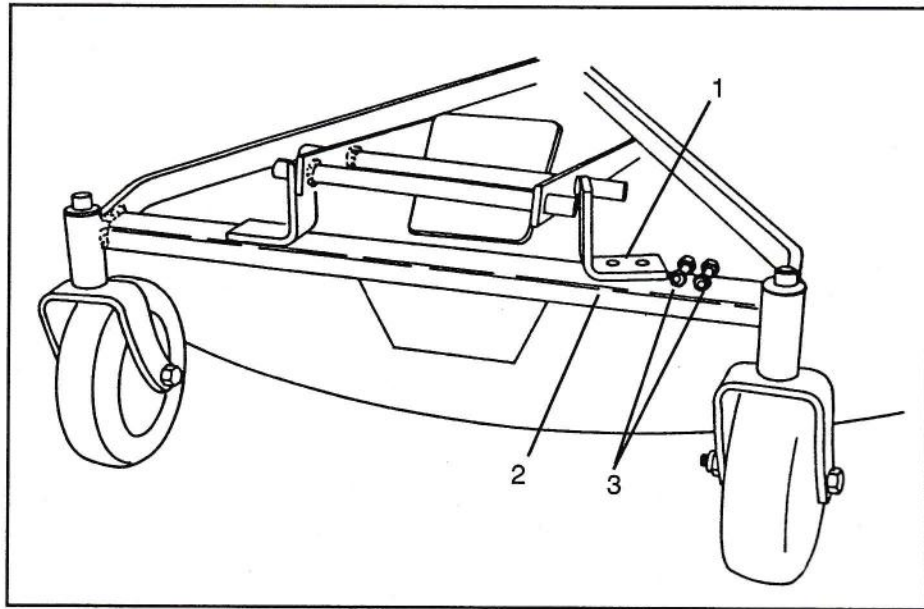
Figure 7



1. Cotter Pin
2. Washer
3. Lift Lever Weldment
4. Jam Nut
5. Mower Lift Pivot
6. Mower Lift Arm
7. Eye Bolt
8. Hair Pin

Diagram 4

Set-Up Instructions (Continued)



1. Pivot Arm Support
2. Front Mount Frame
3. Retaining Bolts

Figure 8

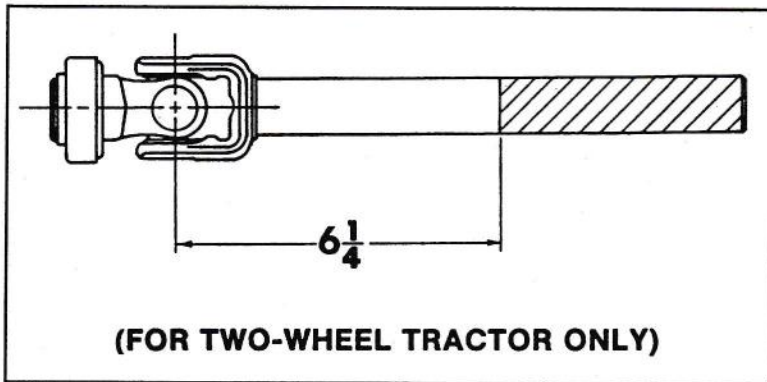
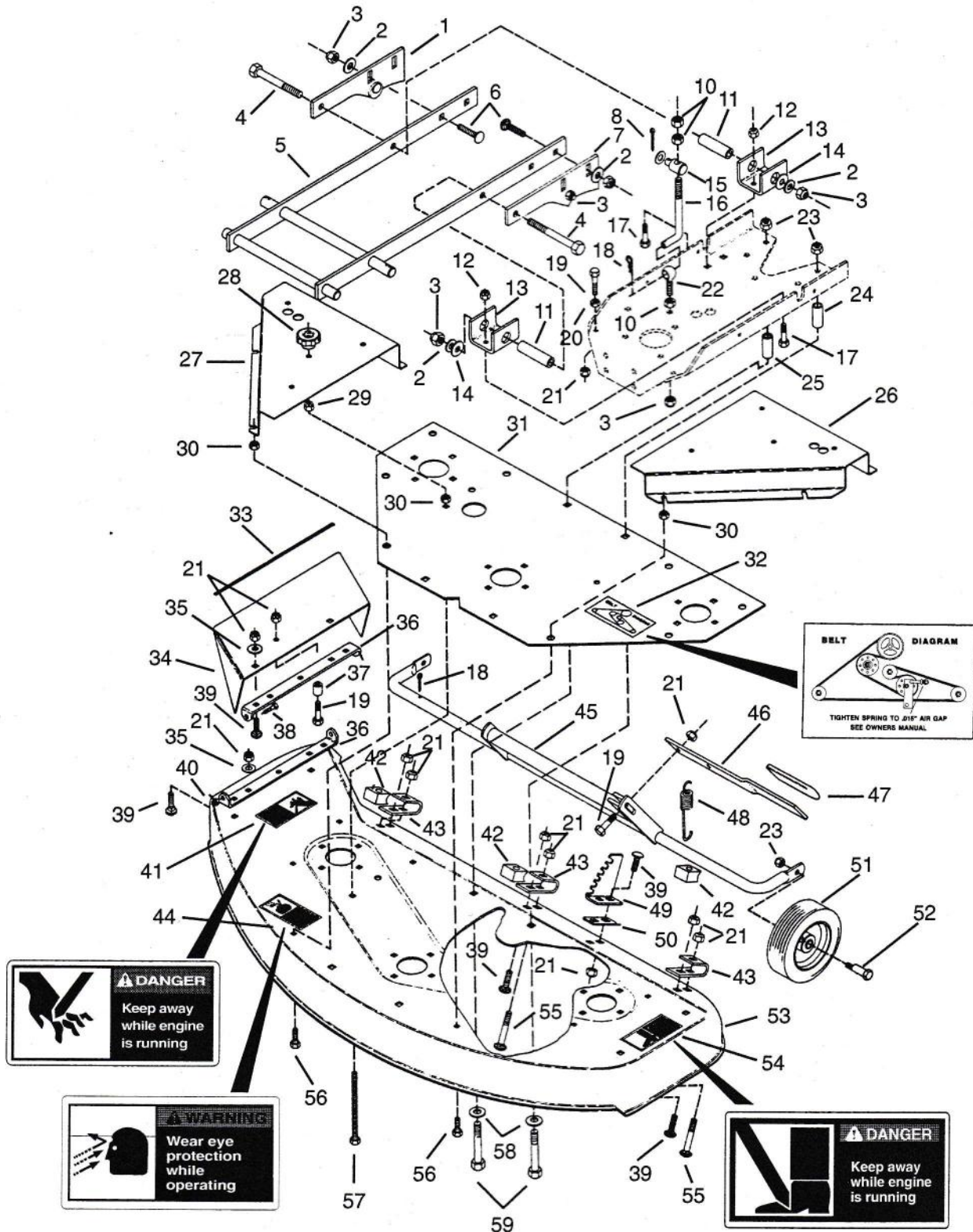


Diagram 5

Notes

40" MOWER DECK ASSEMBLY

Models 885005,006



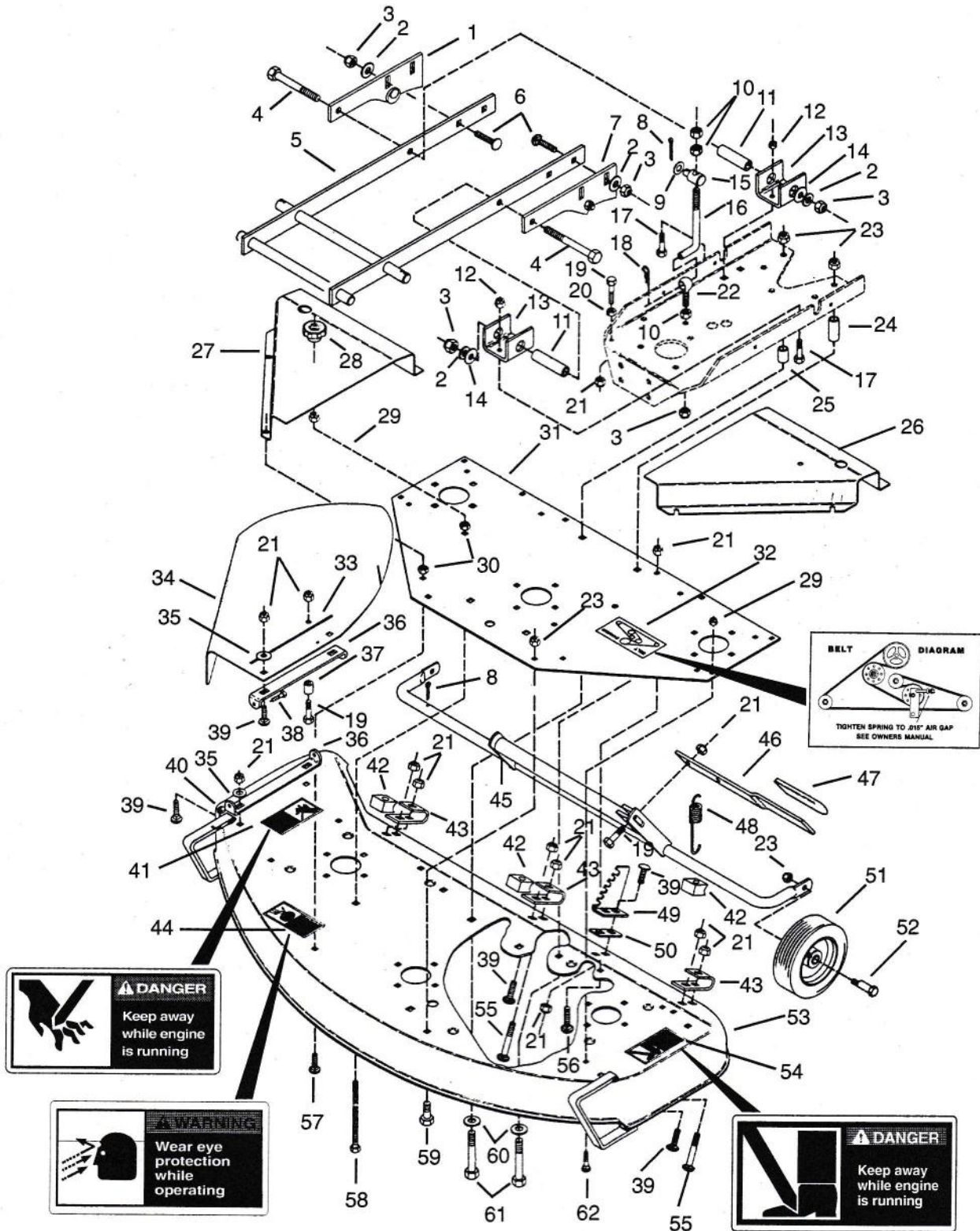
40" MOWER DECK ASSEMBLY

Models 885005,006

Item No.	Part No.	Qty.	Description
1	038986	1	Weldment, Deck Leveling Right Hand
2	415543	6	Washer-Flat-Steel .531 x 1.250 x .100
3	414074	7	Nut-Locking .50-13
4	180191	2	Bolt-Hex .50-13 x 3.25 Grade 5
5	038992	1	Weldment, Pivot Arm
6	126485	4	Bolt-Round Head Square Neck .50-13 x 1.25
7	038988	1	Weldment, Deck Leveling Left Hand
8	120123	2	Pin-Cotter .12 x 1.25
9	417098	1	Washer-Flat-Steel .531 x 1.000 x .063
10	120238	3	Nut-Jam .50-13 Grade 2
11	022414	2	Spacer .510 x .750 x 2.02 Steel
12	413447	4	Nut-Locking .312-18
13	022415	2	Support, Mower Pivot
14	423315	2	Washer-Flat-Steel .813 x 1.370 x .100
15	040625	1	Pivot, Mower Lift
16	019201	1	Rod, Lift
17	180078	4	Bolt-Hex .31-18 x .88 Grade 5
18	015691	1	Pin-Cotter .12 x 2.0
19	180126	4	Bolt-Hex .38-16 x 1.50 Grade 5
20	124829	2	Nut-Jam .375-16
21	456004	16	Nut-Locking-Nylon .375-16 Grade 2
22	019350	1	Bolt, Eye
23	435507	6	Nut-Locking-Nylon .50-13 Grade 5
24	019348	3	Spacer .510 x .840 x 2.437 Steel
25	034119	1	Spacer .560 x .750 x 2.437 Steel
26	040533	1	Cover, Belt Left Hand
27	040532	1	Cover, Belt Right Hand
28	041674	2	Knob
29	419455	2	Nut-Locking-Nylon .312-18 Grade 2
30	124824	10	Nut-Jam .312-18
31	040531	1	Plate, Support
32	011715	1	Decal, Belt Installation
33	038769	1	Stripe
34	038697	1	Chute, 40" Flip-Up
35	120394	4	Washer-Flat-Steel .406 x .812 x .065
36	045664	2	Bracket, Chute 40" Mower
37	038696	1	Bushing-Sleeve .407 x .625 x .750
38	180021	2	Bolt-Hex .25-20 x .875
39	120915	9	Bolt-Round Head Square Neck .38-16 x 1.0
40	419454	2	Nut-Locking-Nylon .250-20 Grade 2
41	033926	1	Decal, Danger Hand
42	011260	3	Stop, Nylon
43	011264	3	Bracket, Axle Support
44	05350200	1	Decal, Warning Eye
45	046053	1	Weldment, Axle Pivot
46	038990	1	Lever, Height of Cut
47	034067	1	Grip, Handle
48	021471	1	Spring-Tension .095 x .85 x 4.38
49	011265	1	Bracket, Height Adjustment
50	021462	1	Shim, Mower Height Adjuster Bracket
51	034426	2	Tire/Wheel Assembly 6 x 2
52	038985	2	Bolt, Eccentric
53	046224	1	Weldment, 40" Mower Deck
54	05350100	1	Decal, Danger Foot
55	126419	3	Bolt-Round Head Square Neck .38-16 x 2.00
56	180077	8	Bolt-Hex .31-18 x .75 Grade 5
57	040193	2	Bolt-Round Head Square Neck .31-18 x 3.5
58	0120396	4	Washer-Flat-Steel .531 x 1.062 x .095
59	180193	4	Bolt-Hex .50-13 x 3.75
NS	014666	1	Baffle

50" MOWER DECK ASSEMBLY

Models 885005,006



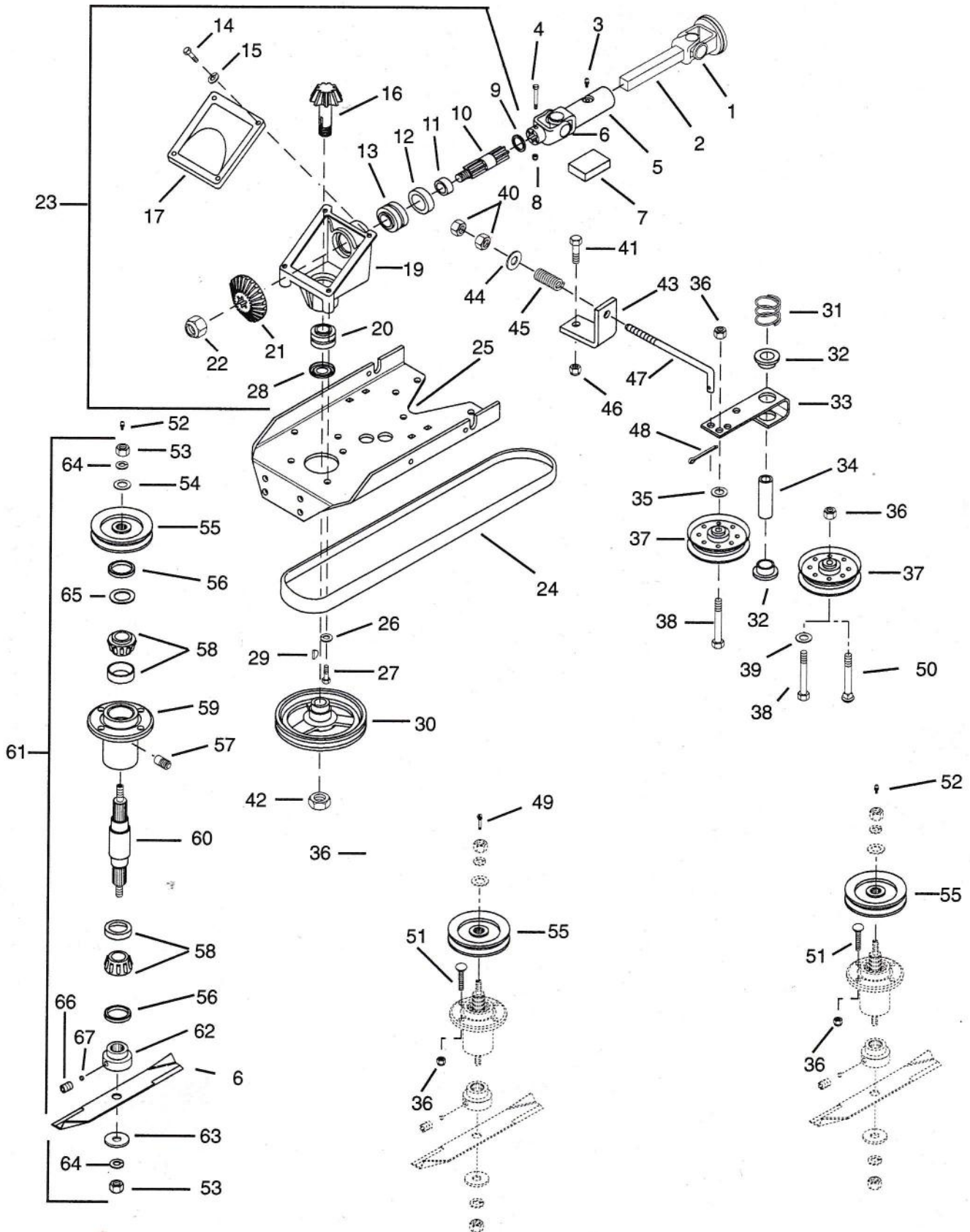
50" MOWER DECK ASSEMBLY

Models 885005,006

Item No.	Part No.	Qty.	Description
1	038986	1	Weldment, Deck Leveling Right Hand
2	415543	6	Washer-Flat-Steel .531 x 1.250 x .100
3	414074	7	Nut-Locking .50-13
4	180191	2	Bolt-Hex .50-13 x 3.25 Grade 5
5	038992	1	Weldment, Pivot Arm
6	126485	4	Bolt-Round Head Square Neck .50-13 x 1.25
7	038988	1	Weldment, Deck Leveling Left Hand
8	120123	2	Pin-Cotter .12 x 1.25
9	417098	1	Washer-Flat-Steel .531 x 1.000 x .063
10	120238	3	Nut-Jam .50-13 Grade 2
11	022414	2	Spacer .510 x .750 x 2.02 Steel
12	413447	4	Nut-Locking .312-18
13	022415	2	Support, Mower Pivot
14	423315	2	Washer-Flat-Steel .813 x 1.370 x .100
15	040625	1	Pivot, Mower Lift
16	019201	1	Rod, Lift
17	180078	4	Bolt-Hex .31-18 x .88 Grade 5
18	015691	1	Pin-Cotter .12 x 2.0
19	180126	4	Bolt-Hex .38-16 x 1.50 Grade 5
20	124829	2	Nut-Jam .375-16
21	456004	18	Nut-Locking-Nylon .375-16 Grade 2
22	019350	1	Bolt, Eye
23	435507	8	Nut-Locking-Nylon .50-13 Grade 5
24	019348	3	Spacer .510 x .840 x 2.437 Steel
25	042988	1	Rod, PTO Control
26	040195	1	Cover, Pulley Left Hand
27	040196	1	Cover, Pulley Right Hand
28	041674	2	Knob
29	419455	8	Nut-Locking-Nylon .312-18 Grade 2
30	124824	10	Nut-Jam .312-18
31	040201	1	Plate, Support
32	011715	1	Decal, Belt Installation
33	038769	1	Stripe
34	038675	1	Shield, Safety External 50" Mower
35	120394	4	Washer-Flat-Steel .406 x .812 x .065
36	045641	2	Bracket, Chute
37	038696	1	Bushing-Sleeve .407 x .625 x .750
38	180021	2	Bolt-Hex .25-20 x .875
39	120915	9	Bolt-Round Head Square Neck .38-16 x 1.0
40	419454	2	Nut-Locking-Nylon .250-20 Grade 2
41	033926	1	Decal, Danger Hand
42	011260	3	Stop, Nylon
43	011264	3	Bracket, Axle Support
44	05350200	1	Decal, Warning Eye
45	045711	1	Weldment, Axle Pivot
46	038990	1	Lever, Height of Cut
47	034067	1	Grip, Handle
48	021471	1	Spring-Tension .095 x .85 x 4.38
49	011265	1	Bracket, Height Adjustment
50	021462	1	Shim, Mower Height Adjuster Bracket
51	034426	2	Tire/Wheel Assembly 6 x 2
52	038985	2	Bolt, Eccentric
53	046209	1	Weldment, 50" Mower Deck
54	05350100	1	Decal, Danger Foot
55	126419	3	Bolt-Round Head Square Neck .38-16 x 2.00
56	062127	2	Bolt-Round Head Square Neck .375-16 x .75 Grade 1
57	126358	8	Bolt-Round Head Square Neck .31-18 x 1.12
58	040193	2	Bolt-Round Head Square Neck .31-18 x 3.5
59	180175	2	Bolt-Hex .50-13 x 1.25 Grade 5
60	120396	4	Washer-Flat-Steel .531 x 1.062 x .095
61	180193	4	Bolt-Hex .50-13 x 3.75
62	06204100	6	Bolt-Round Head Square Neck .31-18 x .75
NS	010967	1	Baffle

40" & 50" MOWER DRIVE

Models 885005,006



OH0021

40" & 50" MOWER DRIVE

Models 885005,006

Item No.	Part No.	Qty.	Description
1	045954	AR	Q. D. Yoke
2	019074	1	Shaft-Prop Square Bar
3	411027	1	Fitting-Lube .25-28 x .256
4	180044	1	Bolt-Hex .25-20 x 2.00 Grade 5
5	013518	1	Joint-U Female End
6	011234	3	Blade-50" Mower (Standard)
	038947	3	Blade-50" Double Edge (Optional)
	014668	3	Blade-40" Mower
7	012134	1	Kit-Repair U-Joint
8	419454	1	Nut-Locking-Nylon .250-20 Grade 2
9	014642	1	Ring-Retaining 1.106 x .95
10	031412	1	Shaft
11	014641	1	Bushing Flange 1.00 x 1.25 x 1.25
12	014646	1	Seal 1.250 x 1.983 x .250
13	014640	1	Bearing-Assembly 1.000 x 1.980 x 1.243
14	180016	4	Bolt-Hex .25-20 x .50 Grade 5
15	120380	4	Washer-Lock .250
16	045588	1	Shaft-Pinion Gear
17	010982	1	Cover-Gear Housing
19	014636	1	Casting-Gear Box
20	014644	1	Bearing-Assembly .75 x 1.781 x 1.499
21	045587	1	Gear-Bevel
22	456007	1	Nut-Locking-Nylon .75-10 Grade 2
23	08570300	1	Assembly-Gearbox
24	034429	1	V-Belt A-Section (005)
	011216	1	Belt-V (006)
25	045632	1	Support-Gear Housing
26	120384	3	Washer-Lock .50 Regular
27	180173	3	Bolt-Hex .50-13 x 1 Grade 5
28	014645	1	Seal 1.250 x 1.691 x .310
29	431787	1	Key-Woodruff .19 x .63
30	014660	1	Sheave 1/2 x 6.50
31	020444	1	Spring-Compression .085 x .80 x 1.00
32	010174	2	Bushing-Flange .762 x 1.0 x .580 x 1.48
33	034120	1	Arm-Idler Pivot
34	034119	1	Spacer .560 x .750 x 2.437 Steel
35	014672	1	Bushing .406 x .750 x .188
36	456004	14	Nut-Locking-Nylon .375-16 Grade 2
37	021060	2	Pulley-Idler 4.50 x .380
38	180130	2	Bolt-Hex .38-16 x 2.00 Grade 5 (005)
	180130	1	Bolt-Hex .38-16 x 2.00 Grade 5 (006)
39	120388	1	Washer-Flat-Steel .438 x 1.000 x .083 (005)
40	120369	2	Nut-Hex .375-24 Grade 2
41	180177	1	Bolt-Hex .50-13 x 1.50 (006)
	180176	1	Bolt-Hex .50-13 x 1.375 (005)
42	451539	1	Nut-Hex-Jam .750-10
43	034431	1	Support-Spring
44	120394	1	Washer-Flat-Steel .406 x .812 x .065
45	011779	1	Spring-Compression .125 x .78 x 1.00
46	435507	1	Nut-Locking-Nylon .50-13 Grade 5

40" & 50" MOWER DRIVE

Models 885005,006

Item No.	Part No.	Qty.	Description	S/N Break
47	021111	1	Rod, Idler 50 In. Mower (006)	
	021112	1	Rod, Idler 40 In. Mower (005)	
48	121224	1	Pin-Cotter .09 x 1.0	
49	021214	1	Fitting-Lube .125	
50	126416	1	Bolt-Round Head Square Neck .38-16 x 1.75 (006)	
51	126402	12	Bolt-Round Head Square Neck .38-16 x 1.25	
52	411010	2	Fitting-Lube 1/8	
53	124589	6	Nut-Hex .625-11 Grade 2	B
	418692	6	Nut-Locking-Nylon .625-11 Grade 2	A
54	033845	3	Washer-Flat-Steel .687 x 1.312 x .150	
55	08896200	3	Sheave (005)	
	08894900	3	Sheave (006)	
56	05613000	6	Seal 1.987 x 1.375 x .313	
57	08896800	3	Relief Fitting-Grease	
58	038199	6	Assembly, Bearing Cup & Cone	
59	08894500	3	Bearing Housing	
60	021216	3	Shaft, Spindle	
61	58802300	AR	Service Kit Spindle Assembly (Contains 1ea. of Items 54,57, 59,60,62,63,65,66,67; 2 ea. of Items 53,56,58,64)	
62	08886500	3	Hub	B
	08798300	3	Weldment, Blade Cradle	A
63	06435200	3	Washer	B
	131016	3	Washer-Flat-Steel .656 x 1.312 x .095	A
64	06300700	6	Washer-Locking .625 x .156	B
65	06416600	3	Washer-Flat-Steel 1.007 x 1.542 x .062	B
66	06005400	3	Screw-Set .25-20 x .25	B
67	03191400	3	Plug	B
NS	036799	AR	Spring	
NS	036800	AR	Collar	
NS	036801	AR	Ring Snap	
NS	145643	AR	Ball, .375 Guard 2000	

A = 885005 S/N 000367 - 000386
 885006 S/N 003998 - 004320

B = 885005 S/N 000387 and up
 885006 S/N 004321 and up



Five Year Limited Warranty

PROFESSIONAL G AND TWO-WHEEL PRODUCTS

Gravely hereby warrants to the original purchaser that all Professional G and Two-Wheel products shall be free of defects in material and workmanship for **five years** from date of purchase when used exclusively for **personal or household** use. Gravely will provide for the replacement of any part found to be defective. Parts and labor will be free of charge for **two years** from date of purchase. Parts but not labor will be free of charge for **three years** (36 months) thereafter.

This warranty is subject to the following exceptions and limitations.

- ❖ **Purchaser Responsibilities:**
 - Maintenance and minor adjustments per Operators Manual.
 - Notification of need for warranty service.
 - Transportation of the product to and from the place of warranty repair.
- ❖ **Product Registration:**
 - Return of Registration card to validate warranty.
- ❖ **Rental Use: 90 days** parts and labor.
 - Products used for rental purposes.
- ❖ **Commercial Use:**
 - **Two years** or **1000 hours** whichever comes first, parts and labor.
- ❖ **Warranty Service:**
 - For warranty service contact any Gravely dealer. For the name and location of the Gravely dealer in your area and for further warranty information contact Gravely.
- ❖ **Engines, engine accessories.**
 - Covered only by engine manufacturers warranty.
- ❖ **Batteries - One year** pro rated.
- ❖ **Exclusions: - No Warranty**
 - No warranty is extended for normal maintenance, services and normal replacement items such as Spark Plugs, Oil, Oil Filters, Air Filters, Mufflers, Belts, Seats, Scraper Blades, Skids, Mower Deck Rollers, Light Bulbs, etc.
 - No warranty is extended on any product that has been altered, misused, mis-assembled, improperly adjusted, neglected or damaged by accident.
 - No warranty is extended for service completed by someone other than an Authorized Gravely Dealer.
 - No warranty is extended on any attachment not approved by Gravely nor any parts that are not genuine Gravely parts.
 - No warranty is extended on engines and engine accessories.

Gravely reserves the right to incorporate any change in design into its products without obligation to make such changes on products previously manufactured.

DISCLAIMER OF FURTHER WARRANTY

Gravely makes no warranty, express or implied, other than this warranty. The implied warranties of merchantability and fitness for particular purpose are hereby disclaimed. Repair or replacement of parts proving to be defective in material or workmanship shall be the exclusive remedy for breach of this warranty. Gravely shall not be liable for incidental or consequential damages, including but not limited to damages for inconvenience, rental or purchase of replacement equipment, or for loss of profits or other commercial loss, resulting from a breach of this warranty.

Some states do not allow limitations on how long an implied warranty lasts, so the above statement may not apply to you. Some states do not allow the exclusion or limitation of incidental or consequential damages, so the above limitation or exclusion may not apply to you. This warranty gives you specific legal rights, and you may have other rights which vary from state to state.

655 West Ryan Street, P.O. Box 157
Brillion, WI 54110-1098
Phone: 920-756-4400 • Fax: 920-756-4477



655 West Ryan Street • P.O. Box 157 • Brillion, WI 54110-0157 • 920-756-2141 • Fax: 920-756-4421

***Ask Your Dealer For Information On
These Other Fine GRAVELY Products***

- Professional Two-Wheel Tractors
- Professional Riding Tractors
- Pro Commercial Walk-Behind Mowers
- Promaster Commercial Front-Mount Riding Mowers
- Pro Zero-Turn-Radius Walk-Behind Mowers
- Promaster Zero-Turn-Radius Riding Mowers
- Professional Chippers
- Professional Vacuum